

FLUID

Centrifugal pump with sanitary design



The new range of FLUID centrifugal pumps has been developed for the transfer of all types of products in the chemical, food, pharmaceutical and cosmetics industries.

Its internal design has been developed with particular attention to geometry in order to obtain a unit with a very high degree of hygiene levels that meets the requirements of EHEDG regulations. All this allows the pumps in this range to be used with a guarantee of total cleanliness after undergoing a CIP or SIP cleaning and disinfecting process, without disassembly.

The FLUIDMIM technical department has developed a high-efficiency impeller design using computational design software and 3D printing that allows it to provide flow rates of up to 100 m³/h with high performance and lower power consumption. The characteristics of the new impellers can reduce the NPSH required, lowering the risk of cavitation and improving safety during operation.

FLUID pumps are optionally equipped with a balanced single internal mechanical seal that is easy to assemble and offers a sanitary design while being EHEDG standards-compliant.

The motors used to drive the FLUID pump range comply with IEC standards both in terms of energy efficiency and in terms of its configuration with B5 flanges and B3 foot mounts.

All this means that the FLUID pumps are efficient pumping units that offer high performance and guarantee a very high level of sanitation.

CHARACTERISTICS

- Final finish level: Sanitary
- High-performance semi-open impeller
- C/SS/EPDM mechanical seal
- Simplicity of parts
- CLAMP
- DIN 11851 connections
- EHEDG standards-compliant

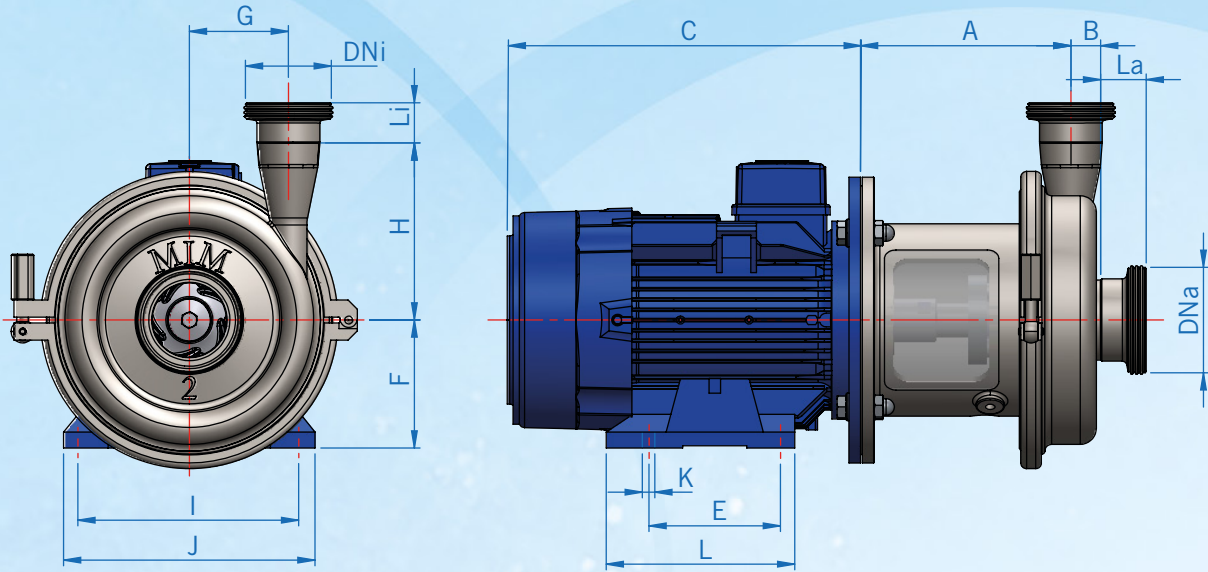
MATERIALS

- Impeller, body and flange made of AISI 316L stainless steel
- Lantern ring, feet and cover in AISI 304L stainless steel
- EPDM gaskets

OPTIONS

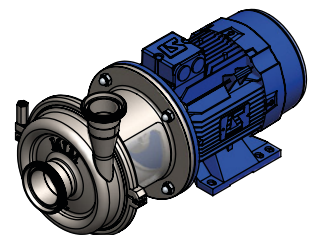
- Other connections: DIN 11861, GAS, CLAMP, SMS, etc.
- Gaskets available in nitrile, Viton and other materials
- Contact surfaces: Tungsten carbide, silicon carbide, etc.
- Sanitary mechanical seal, EHEDG standards-compliant
- Double mechanical seal cooled by thermosyphon
- Sanitary surface finish with Ra<0.5 µm
- Body with heating chamber
- Control box
- Variable frequency drive
- Motor available with different voltages, frequencies and protections
- Motor for explosive atmospheres or increased safety
- Drainage
- Feet and motor cover
- Base plate, trolley

FLUID MODEL GENERAL DIMENSIONS

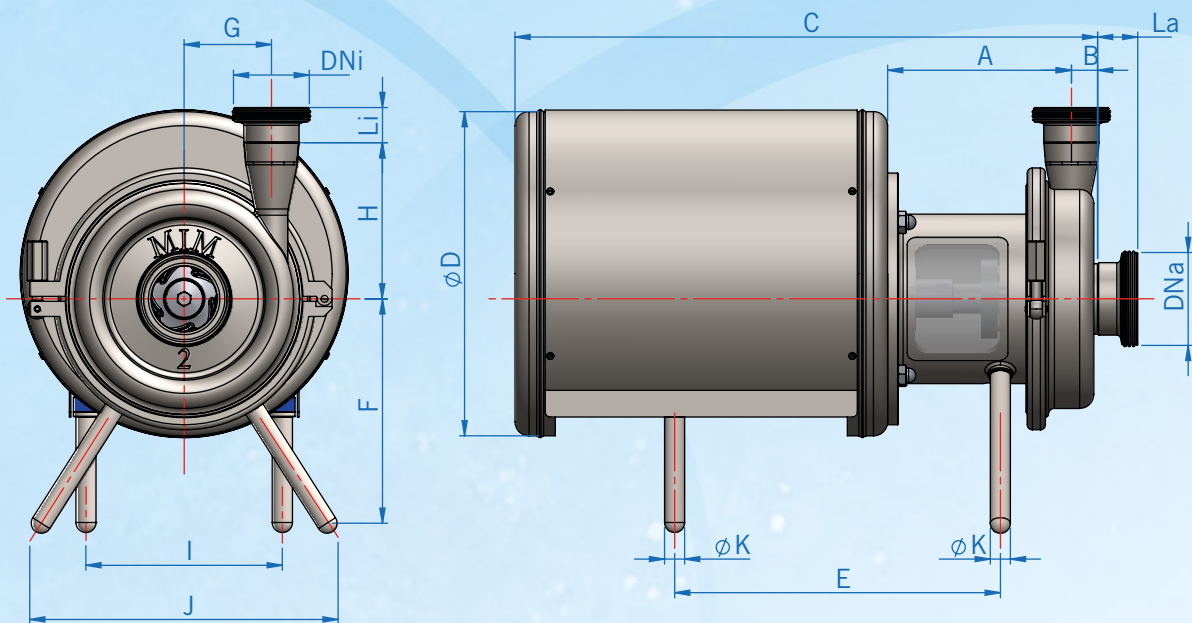


MODEL	MOTOR		DIMENSIONS													WEIGHT (Kg)						
	T	KW	Dna	Dni	A	B	C*	E*	F	G	H	I*	J*	K*	L*							
FLUID 101	71	0.37	50	40	140	21	210	90	71	68.5	143	112	136	7	110	20						
		0.55														21						
	80	0.75			160		225	100	80			125	154	10	125	21.5						
		1.1														22.5						
	90	1.5			260		100	90	140			170	10	125	25							
		2.2													150	30						
FLUID 102	90	1.5	65	50	169	26	240	100	90	86.5	155	140	174	10	155	35						
		2.2														260	125	37				
	100	3			290		140	100	160			195	12	180	45							
		4													335	112	190	225	50			
	FLUID 103	112			4		80	65	195			29	533	140	195	107	195	190	225	12	190	55
					5.5																	470
7.5		581	210	250	254	296			14	296	90											
11											620		154	160	254			296	14	296	165	
15		18.5	620	154	160	254			296	14											296	182
18.5											190											
FLUID 104	112	4	80	65	202.5	33.5	533	140	112	125.5	215	190	225	12	190	67						
		5.5														580	178	132	216	252	226	98
	7.5	581			210		160	254	296			14	296	104								
	11													620	254	160	254	296	14	296	180	
	15	18.5			620		254	160	254			296	14								296	196
	18.5													202								
180	22	650	279	180	179	341	319	212														

	FLUID 101				FLUID 102				FLUID 103/104			
RACCORD	Dna	Dni	La	Li	Dna	Dni	La	Li	Dna	Dni	La	Li
DIN 11851	50	40	23	22	65	50	25	23	80	65	45	40
CLAMP	2"	1 1/2"	21.5	21.5	2 1/2"	2"	28,5	21,5	3"	2 1/2"	49	49
SMS	51	38	25	25	63	51	30	25	71	51	30	25

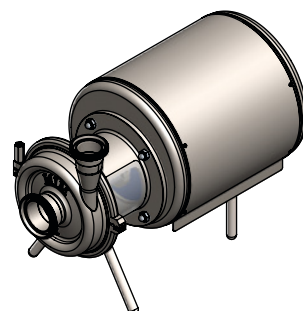


FLUID MODEL GENERAL DIMENSIONS



MODEL	MOTOR		DIMENSIONS													WEIGHT (Kg)	
	T	KW	Dna	Dni	A	B	C*	D*	E*	F	G	H	I*	J*	K*		
FLUID 101	71	0.37	50	40	140	21	410	250	240	190	68.5	143	112	235	16	23	
		0.55														24	
	80	0.75			160		430	325	260				280	140		260	29
		1.1															
	90	1.5			480		280	140	260				29				
		2.2												34			
FLUID 102	90	1.5	65	50	169	26	493	325	280	230	86.5	155	140	295	20	36	
		2.2														39	
	100	3			184		550	317	230				160	190		45	
		4															53
FLUID 103	112	4	80	65	195	29	593	325	324	230	107	195	190	340	25	60	
		5.5														89	
	132	7.5			220		819	375	368				300	216		380	171
		11															
	160	15			250		860	450	488				254	200			
		18.5														200	
FLUID 104	112	4	80	65	202.5	33.5	596	325	323	230	125.5	215	190	340	25	73	
		5.5														104	
	132	7.5			227.5		669	375	380				216	110			
		11														187	
	160	15			255		870	450	500				254	203			
		18.5														210	
180	22	890	475	550	179	220											

	FLUID 101				FLUID 102				FLUID 103/104			
RACCORD	Dna	Dni	La	Li	Dna	Dni	La	Li	Dna	Dni	La	Li
DIN 11851	50	40	23	22	65	50	25	23	80	65	45	40
CLAMP	2"	1 1/2"	21.5	21.5	2 1/2"	2"	28,5	21,5	3"	2 1/2"	49	49
SMS	51	38	25	25	63	51	30	25	71	51	30	25



FLUID SELECTION DIAGRAM

- FLUID 104
- FLUID 103
- FLUID 102
- FLUID 101

